

1

2

3

4

A

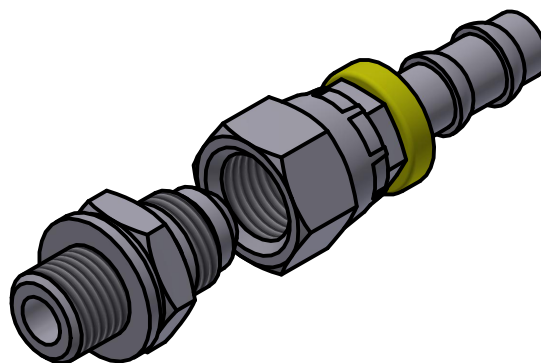
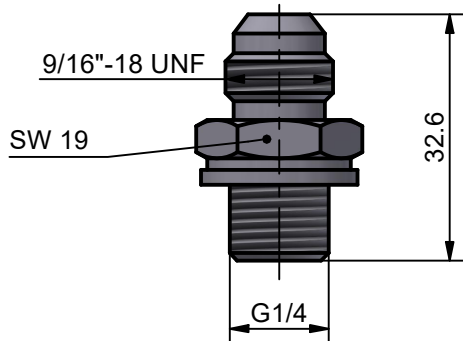
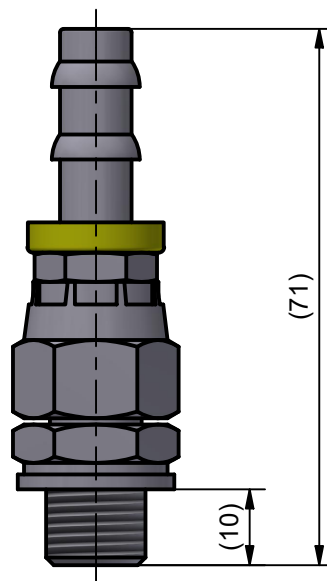
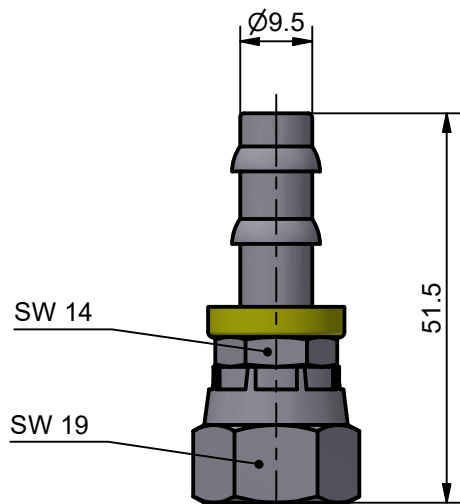
B

C


D

E

F



Maximales Anzugsdrehmoment 10 Nm | Maximum tightening torque 10 Nm

Scale: 1:1	Date: 25.06.2021	Material: steel	Description: Schlauchanschluss G1/4a für Schlauch iØ 9,5 mm - steckbar Hose connector G1/4 male for hose iØ 9.5 mm - push-lock	 <small>perma-tec GmbH & Co. KG Hammelburger Str.21 97717 EUERDORF / GERMANY</small>
Size: A4	Revision / drawn: b / jur	Part No. 116624	<small>Tel.: +49 9704 609-0 Fax: +49 9704 609-50 www.perma-tec.com</small>	