



## perma STAR VARIO

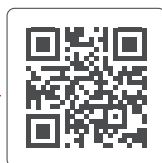
Electro-mechanical, weekly and monthly time settings and four cartridge sizes

perma STAR VARIO consists of a reusable electro-mechanical drive unit and a single-use lubricant cartridge. Because the lubricator is mechanically driven the dispensing rate is independent of ambient temperature and back pressure<sup>†</sup>.

Inspection of the perma STAR VARIO is made easy via the combination of the transparent lubricant cartridge, a flashing LED alert system and an LCD display screen which communicates the status of the lubricator to maintenance personnel.

<sup>†</sup>Total resistance to grease flow must be less than the pressure delivery capability of the lubricator.

More information can be found on our website [www.perma.com.au](http://www.perma.com.au)



MADE IN **GERMANY**

perma STAR VARIO is a single-point, automatic lubricator suited to a broad range of bearing and chain applications. perma STAR VARIO is ideal for applications which demand precise grease delivery or for operating environments which include significant temperature fluctuations. The remote installation kits for perma STAR VARIO provide practical solutions for lubricators to be installed at safe and easy to reach locations.



Conveyor pulley bearings and seals



Pump bearings and seals



Extraction fan



LCD display with push button control provides time settings in months and weeks for 60, 120, 250 and 500 cm<sup>3</sup> sizes

Display provides confirmation of lubricator status including 'days since red' for empty lubricators

Broad range of setting options reduces compromise when selecting lubricant dispensing rates and service planning



Electromechanical, reusable drive unit provides precise dispensing, independent of temperature and back pressure<sup>†</sup>

Red / green lights in four locations indicate operational status when in areas of poor light



Extensive options for direct and remote mounting provides safe access to lubricators and protects them from damage (refer to pg 36)

Pressure build-up to 7.5 bar allows remote mounting with lines up to 5 meters<sup>†</sup>

Purge feature to deliver supplementary grease as required

<sup>†</sup> Limits depend on line ID, grease type, temperature and the resistance to flow presented by lubrication point itself. Extending line lengths delays the delivery of first grease and may prevent lubricant delivery altogether



**Drive – reusable**

Electromechanical drive with 4.5 V battery pack (Alkaline)



**Discharge period**

1, 2, 3 ... 12 months | 1, 2, 3 ... 52 weeks  
STAR LC 500: max. 6 months | 26 weeks



**Lubricant volume**

60, 120, 250, 500 cm<sup>3</sup>



**Operating temperature**

-20 °C to +60 °C



**Remote installations**

5 meters of 3/8" ID line (grease)<sup>†</sup>



**Protection class**

IP 65

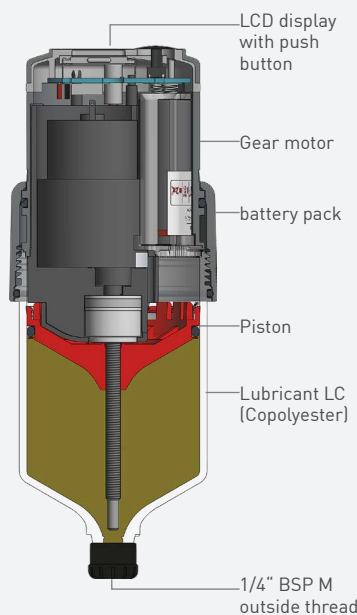


**Standard & special lubricants**

Greases up to NLGI 2 | Oils

**Dimensions**

LC 60: Ø 75 x 155 mm | LC 120: Ø 75 x 178 mm  
LC 250: Ø 75 x 228 mm | LC 500: Ø 75 x 324 mm



**STAR VARIO drive unit**  
reusable



**Battery pack STAR VARIO**  
single use



**STAR Lubricant canister (LC)**  
single use



**Support flange STAR**  
reusable